

Standard : ASYG18LFCA / ASYG24LFCC / ASYG30LFCA



Wireless R.C.



For ASYG18LFCA
ASYG24LFCC

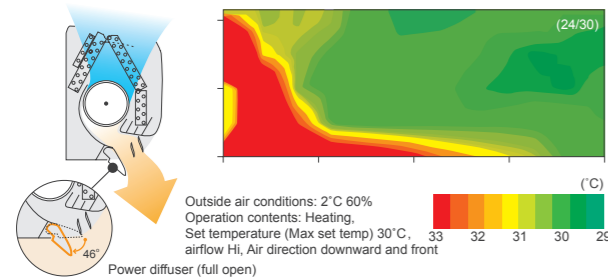


For ASYG30LFCA

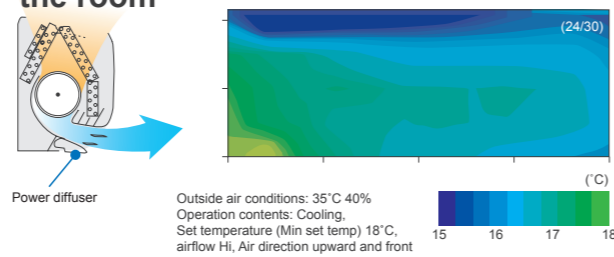


Features

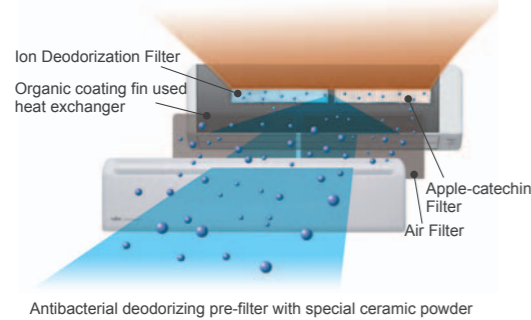
“Vertical airflow” provides powerful floor level heating



“Horizontal airflow” does not blow cool air directly at the occupants in the room



Air conditioner filter features



Ion Deodorization Filter

The filter deodorizes by powerfully decomposing absorbed odors using the oxidizing and reducing effects of ions generated by the ultra-fine-particle ceramic.

Using different filters at both sides

Apple-catechin Filter

The Apple-catechin filter uses static electricity to clean fine particles and dust in the air.

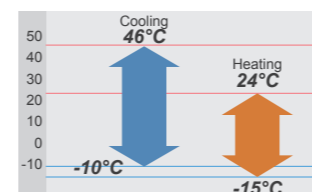
Flexible Installation

	18 type	24 type	30 type
Max. Piping Length	25 m	30 m	50 m
Max. Height	20 m	20 m	30 m

Easy maintenance

Simplification of drain pan cleaning improves maintenance-ability.

Low ambient operation



Optional parts

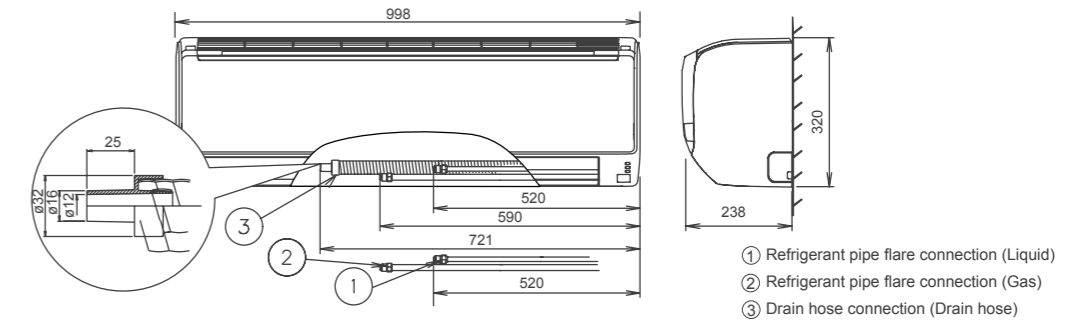
Wired Remote Controller: UTY-RNNYM, UTY-RVNYM
Simple Remote Controller: UTY-RSNYM

Specifications

Model No.	Indoor unit		ASYG18LFCA	ASYG24LFCC	ASYG30LFCA
	Outdoor unit		AOYG18LFC	AOYG24LFCC	AOYG30LFT
Power Source	V/∅/Hz		230/1/50	230/1/50	230/1/50
Capacity	Cooling	kW	5.2 (0.9-6.0)	7.1 (0.9-8.0)	8.0 (2.9-9.0)
	Heating	kW	6.3 (0.9-9.1)	8.0 (0.9-10.6)	8.8 (2.2-11.0)
Input Power	Cooling/Heating kW		1.52/1.71	2.20/2.21	2.49/2.44
	Cooling	W/W	3.42	3.23	3.21
EER	Cooling/Heating		3.68	3.61	3.61
	Cooling	W/W	5.2/5.9	7.1/7.1	8.0/8.0
COP	Cooling/Heating @-10°C		6.94	6.11	5.69
	Cooling	W/W	3.87	3.80	3.80
Pdesign	Cooling/Heating (Average)		A++	A++	A+
	Cooling	A	A	A	
SEER	Cooling/Heating		6.8/7.6	9.7/9.7	10.9/10.7
	Cooling/Heating	A	262	406	492
SCOP	Cooling/Heating		2130	2610	2941
	Cooling	kWh/a	2.6	2.7	3.2
Energy Efficiency Class	Cooling/Heating		43/37/33/26	49/42/37/32	48/42/37/33
	Cooling	dB(A)	50	55	53
Running Current	Cooling/Heating		58	64	64
	Cooling	dB(A)	65	68	68
Annual Energy Consumption	Cooling/Heating		900/2150	1120/2460	1100/3600
	Cooling	m³/h	320X998X238	320X998X238	320X998X238
Moisture Removal	Cooling/Heating		14 (31)	14 (31)	14 (31)
	Cooling	kg(lbs)	620X790X298	620X790X298	830X900X330
Sound Pressure (Cooling)	Indoor / Outdoor		41 (90)	61 (135)	61 (135)
	Indoor	kg(lbs)	41 (90)	61 (135)	61 (135)
Sound Power (Cooling)	Indoor / Outdoor		6.35/12.8	6.35/15.88	9.52/15.88
	Indoor	mm	12/16	12/16	12/16
Airflow Rate (High)	Indoor / Outdoor		25 (15)	30 (15)	50 (20)
	Indoor	m	20	20	30
Net Dimension H x W x D	Cooling/Heating		-10 to 46	-10 to 46	-10 to 46
	Cooling	°CDB	-15 to 24	-15 to 24	-15 to 24
Piping Connections (Small / Large)	Cooling/Heating		R410A (1,975)	R410A (1,975)	R410A (1,975)
	Cooling	mm	6.35/12.8	6.35/15.88	9.52/15.88
Drain Hose Diameter (I.D./O.D.)	Cooling/Heating		12/16	12/16	12/16
	Cooling	mm	25 (15)	30 (15)	50 (20)
Max Pipe Length (Pre-Charge)	Cooling/Heating		20	20	30
	Cooling	mm	12/16	12/16	12/16
Max Height Difference	Cooling/Heating		-10 to 46	-10 to 46	-10 to 46
	Cooling	mm	25 (15)	30 (15)	50 (20)
Operation Range	Cooling/Heating		-10 to 46	-10 to 46	-10 to 46
	Cooling	mm	12/16	12/16	12/16
Refrigerant (Global Warming Potential)	Cooling/Heating		-15 to 24	-15 to 24	-15 to 24
	Cooling	mm	25 (15)	30 (15)	50 (20)

Dimensions Models : ASYG18LFCA / ASYG24LFCC / ASYG30LFCA

(Unit : mm)



- ① Refrigerant pipe flare connection (Liquid)
- ② Refrigerant pipe flare connection (Gas)
- ③ Drain hose connection (Drain hose)