

New Products Release !

Indoor unit

Large Air Flow Duct

Available from
July 2015



Touch panel controller
UTY-RNR*
R*: RY(FUJITSU), RG(GENERAL)

5.6kw ARXN18GATH

7.1kw ARXN24GATH

9.0kw ARXN30GATH

10.0kw ARXN34GATH

11.2kw ARXN36GATH

12.5kw ARXN45GATH

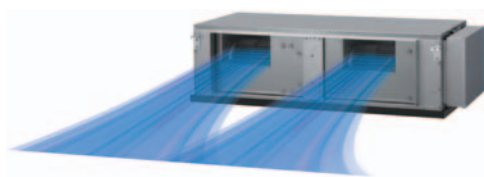
- 1) Large Airflow Duct can be connected to V-III series only.
2) This models can use the Wired remote montroller only.(can not use IR Receiver)

These indoor units allow for high airflow quantities

Feature

Feature

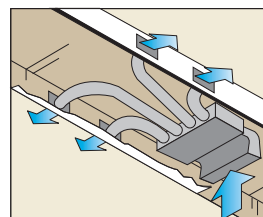
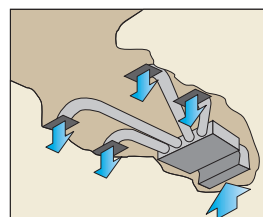
Large airflow volume



	Airflow rate	Static pressure
ARXN18GATH	2,280 m ³ /h	50 - 100 Pa
ARXN24GATH	2,640 m ³ /h	50 - 150 Pa
ARXN30GATH	3,200 m ³ /h	50 - 250 Pa
ARXN34GATH	3,720 m ³ /h	50 - 250 Pa
ARXN36GATH	4,120 m ³ /h	50 - 300 Pa
ARXN45GATH	4,120 m ³ /h	50 - 300 Pa

Feature

Installation styles



Optional parts

Remote Sensor Unit : UTY-XSZX

Line-up

Indoor unit : 13 types, 64 models, capacity range from 1.1kW to 25.0kW

* With this model, connection of EV kit is necessary.

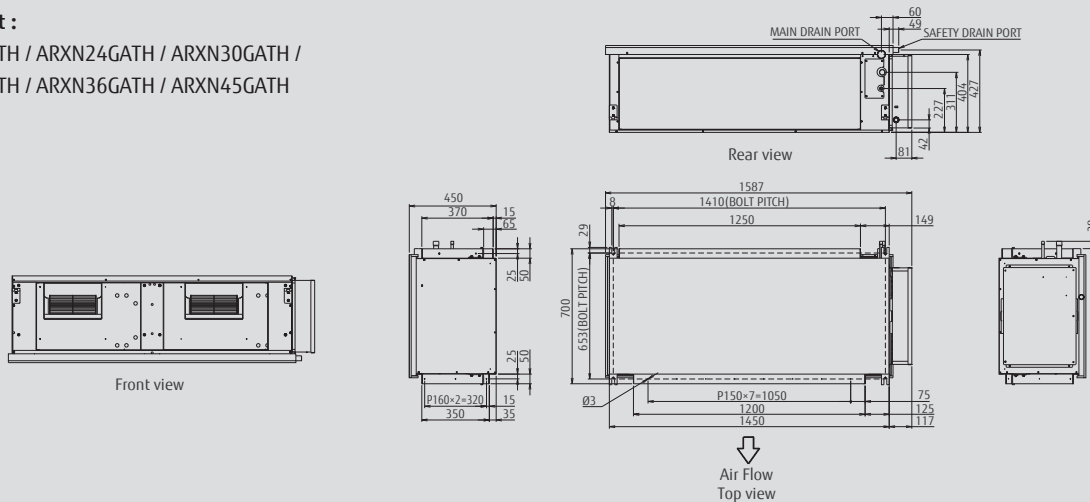
Capacity range (kW)		4	7	9	12	14	18	24	30	34	36	45	54	60	72	90
Model code		1.1	2.2	2.8	3.6	4.5	5.6	7.1	9.0	10.0	11.2	12.5	14.0	18.0	22.4	25.0
Compact Cassette	AUXB04/07/09/12/14/18/24GALH	●	●	●	●	●	●	●								
Cassette	AUXD18/24GALH						●	●								
	AUXA18/24/30/34/36/45/54GALH						●	●	●	●	●	●	●			
Low Static Pressure Duct	ARXB07/09/12/14/18GALH		●	●	●	●	●	●								
Slim Duct (Drain pump internal)	ARXD04/07/09/12/14/18/24GALH	●	●	●	●	●	●	●								
Medium Static Pressure Duct	ARXA24/30/34/36/45GBLH							●	●		●	●				
High Static Pressure Duct	ARXC36GBTH, ARXC45/60GATH										●	●		●		
	ARXC72/90GBTH														●	●
Large Airflow Duct	ARXN18/24/30/34/36/45GATH						NEW ●	NEW ●	NEW ●	NEW ●	NEW ●	NEW ●				
Floor (Same as Ceiling models)	ABYA12/14/18/24GATH				●	●	●	●								
Concealed Floor (Same as Low Static pressure Duct models)	ARXB07/09/12/14/18GALH		●	●	●	●	●	●								
Slim Concealed Floor (Same as Slim Duct models)	ARXD04/07/09/12/14/18/24GALH	●	●	●	●	●	●	●								
Ceiling	ABYA12/14/18/24GATH				●	●	●	●								
	ABYA30/36/45/54GATH								●		●	●	●			
Wall Mounted	ASYA04/07/09/12/14GACH	●	●	●	●	●										
	ASYA18/24/30GACH						●	●	●							
Wall Mounted (EEV external)	ASYE04/07/09/12/14GACH	●*	●*	●*	●*	●*										

Dimensions

(Unit : mm)

Indoor unit :

ARXN18GATH / ARXN24GATH / ARXN30GATH /
ARXN34GATH / ARXN36GATH / ARXN45GATH



Specifications

Model name	ARXN18GATH	ARXN24GATH	ARXN30GATH	ARXN34GATH	ARXN36GATH	ARXN45GATH	
Power source	230V ~, 50Hz						
Capacity	Cooling	5.6	7.1	9.0	10.0	12.5	
	Heating	6.3	8.0	10.0	11.2	14.0	
Input Power	W	154	205	306	432	572	
Airflow Rate	High	m ³ /h	2,280	2,640	3,200	3,720	4,120
Static pressure range		Pa	50 to 100	50 to 150	50 to 250	50 to 250	50 to 300
Standard static pressure		Pa	50	50	50	50	60
Sound Pressure Level	High	dB(A)	35	37	40	43	45
Dimensions (H×W×D)	mm						
Weight	kg						
Connection pipe diameter	Liquid	Ø9.52 (Flare)				Ø19.05 (Flare)	
	Gas	Ø15.88 (Flare)				Ø19.05 (Flare)	
	Drain hose	VP25[Ø25(I.D.); Ø32(O.U.)]					

Note : Specifications are based on the following conditions. Large Airflow Duct can be connected to V-III series only.

Cooling : Indoor temperature of 27°CDB / 19°CWB, and outdoor temperature of 35°CDB / 24°CWB.

Heating : Indoor temperature of 20°CDB / (15°CWB), and outdoor temperature of 7°CDB / 6°CWB.

Pipe length : 7.5 m; Height difference between outdoor unit and indoor unit : 0 m. Voltage : 230 [V].



*Specifications and design are subject to change without notice for further improvement.

*Actual products' colors may be different from the colors shown in this printed material.

Distributed by :

FUJITSU GENERAL LIMITED

3-3-17, Suenaga, Takatsu-ku, Kawasaki 213-8502, Japan

<http://www.fujitsu-general.com/>

Copyright© 2015 Fujitsu General Limited. All rights reserved. 6ENN12-1507E