

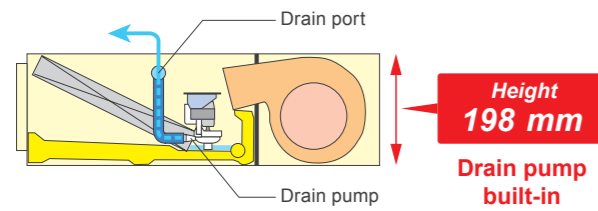
Model : ARYG12LLTB / ARYG14LLTB / ARYG18LLTB



Features

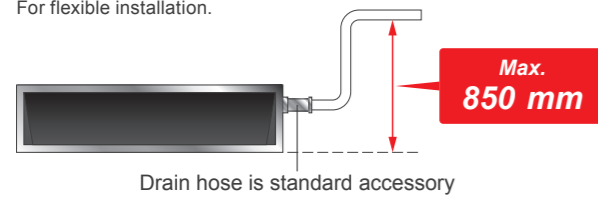
Slim design

The slim design allows installations where ceilings are narrow.



Drain hose as standard accessory

For flexible installation.



Selectable with a wide range of static pressure

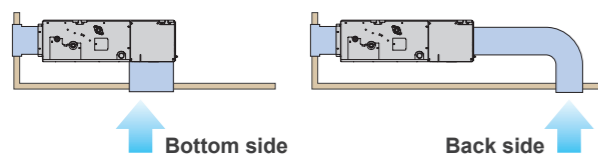
By using the DC fan motor, it is possible to change the static pressure range from 0 to 90 Pa.

The change of static pressure range is possible by remote controller.



Air-intake

Air intake direction can be selected to match the installation site.



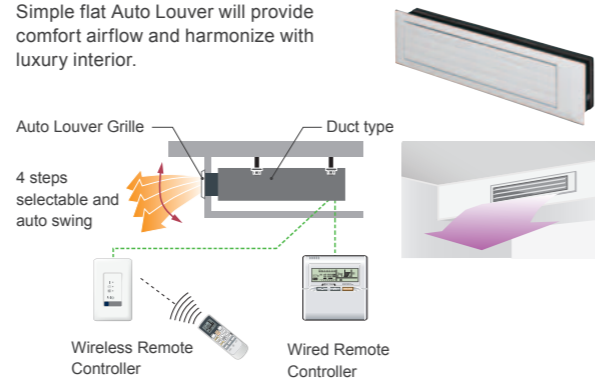
Flexible installation

Ceiling concealed Floor concealed



Auto Louver Grille Kit (Option)

Simple flat Auto Louver will provide comfort airflow and harmonize with luxury interior.



Optional parts

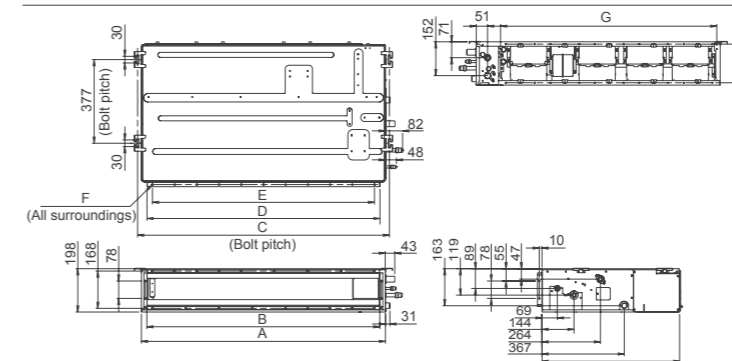
- Wired Remote Controller: UTY-RNNYM, UTY-RVNYM
- Simple Remote Controller: UTY-RSNYM
- IR Receiver Kit: UTY-LRHYM
- Remote Sensor Unit: UTY-XSZX
- Auto Louver Grille Kit: UTD-GXSA-W (For ARYG12 / 14LLTB), UTD-GXSB-W (For ARYG18LLTB)

Specifications

Model No.	Indoor unit		ARYG12LLTB	ARYG14LLTB	ARYG18LLTB
	Outdoor unit		AOYG12LALL	AOYG14LALL	AOYG18LALL
Power Source	V/∅/Hz		230/1/50	230/1/50	230/1/50
Capacity	Cooling	kW	3.5 (0.9-4.4)	4.3 (0.9-5.4)	5.2 (0.9-5.9)
	Heating	kW	4.1 (0.9-5.7)	5.0 (0.9-6.5)	6.0 (0.9-7.5)
Input Power	Cooling/Heating	kW	1.05/1.11	1.33/1.34	1.62/1.66
EER	Cooling	W/W	3.33	3.21	3.21
COP	Heating	W/W	3.69	3.71	3.61
Pdesign	Cooling/Heating	kW	3.5/4.2	4.3/4.5	5.2/5.2
SEER	Cooling	W/W	5.90	5.80	6.20
SCOP	Heating	W/W	4.00	3.90	4.10
Energy Efficiency Class	Cooling		A+	A+	A++
	Heating		A+	A	A+
Running Current	Cooling/Heating	A	4.8/5.1	6.1/6.1	7.2/7.4
Annual Energy Consumption	Cooling	kWh/a	207	259	293
	Heating	kWh/a	1467	1614	1774
Moisture Removal		l/h	1.3	1.5	2.0
Sound Pressure (Cooling)	Indoor	H/M/L/Q	29/28/26/25	32/30/28/26	32/30/29/27
	Outdoor	High	47	49	50
	Indoor	High	58	60	58
Sound Power (Cooling)	Indoor	High	61	62	62
	Outdoor	High	61	62	62
Airflow Rate (High)	Indoor / Outdoor	m³/h	650/1780	800/1910	940/2000
Static pressure range (Standard)		Pa	0 to 90 (25)	0 to 90 (25)	0 to 90 (25)
Net Dimension H x W x D	Indoor	mm	198x700x620	198x700x620	198x900x620
	Outdoor	kg(lbs)	19 (42)	19 (42)	23 (51)
Piping Connections (Small / Large)		mm	578x790x300	578x790x300	578x790x300
		kg(lbs)	40 (88)	40 (88)	40 (88)
Drain Hose Diameter (I.D./O.D.)		mm	6.35/9.52	6.35/12.70	6.35/12.70
Max Pipe Length (Pre-Charge)		mm	25/32	25/32	25/32
Max Height Difference		m	25 (15)	25 (15)	25 (15)
Operation Range	Cooling	°CDB	-10 to 46	-10 to 46	-10 to 46
	Heating	°CDB	-15 to 24	-15 to 24	-15 to 24
Refrigerant (Global Warming Potential)			R410A (1.975)	R410A (1.975)	R410A (1.975)

Dimensions Models : ARYG12LLTB / ARYG14LLTB / ARYG18LLTB

(Unit : mm)



	ARYG12 / 14LLTB	ARYG18LLTB
A	700	900
B	650	850
C	734	934
D	650	850
E	P100x6=600	P100x8=800
F	18x∅5	22x∅5
G	574	774