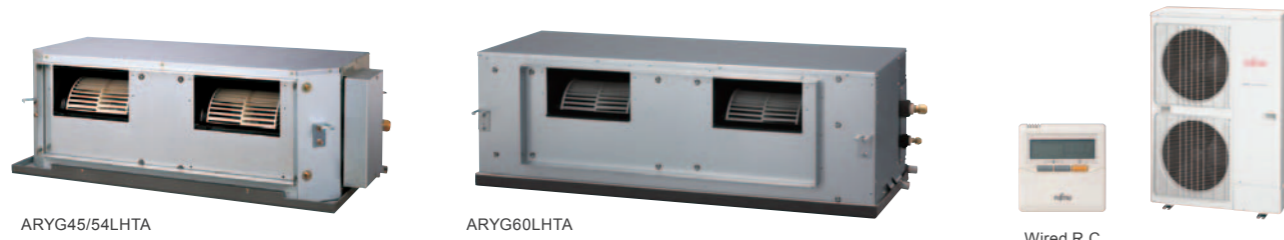


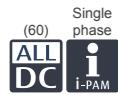
Model : ARYG45LHTA / ARYG54LHTA /
ARYG45LHTA (3phase) / ARYG54LHTA (3phase) / ARYG60LHTA (3phase)



ARYG45/54LHTA

ARYG60LHTA

Wired R.C.



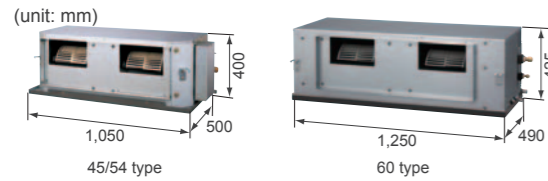
Features

High energy efficiency

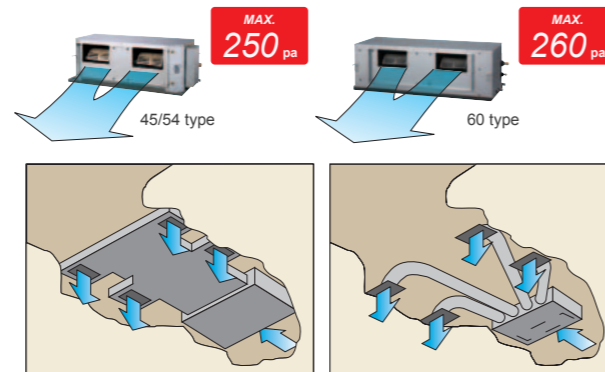
Significantly greater efficiency is realized by using all DC inverter technology. (60 type)

Easy installation
(Compact size & Lightweight)

A compact size and lightweight indoor unit has been developed by reducing the basic chassis and the overall material weight.



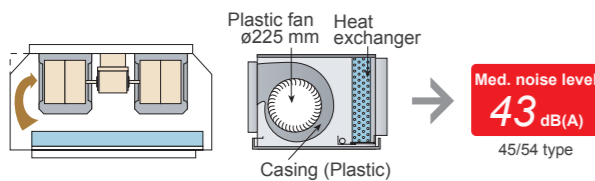
Design also corresponding to high static pressure



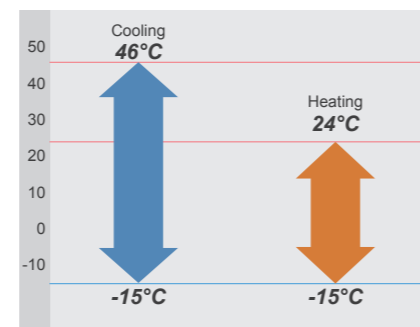
Low noise

Indoor unit

Cutting off the corners has enabled less turbulent airflow. Low noise is realized by adopting a plastic case and a plastic fan.

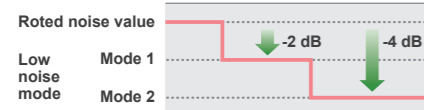


Low ambient operation



Outdoor unit

2 stage low noise mode can be selected. (Option)



Optional parts

- Wired Remote Controller: UTY-RNNYM, UTY-RVNYM
- Simple Remote Controller: UTY-RSNYM
- Long-Life Filter: UTD-LF60KA (For ARYG45/54LHTA only)
- Remote Sensor Unit: UTY-XSZX
- IR Receiver Kit: UTY-LRHYM(For ARYG60LHTA only)

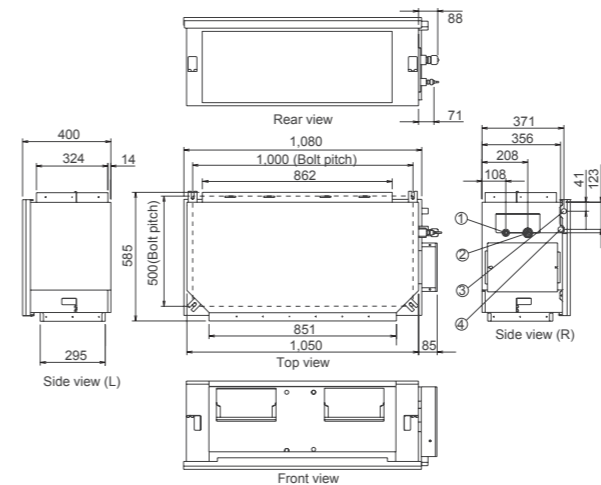
Specifications

Model No.	Indoor unit		ARYG45LHTA	ARYG54LHTA	ARYG45LHTA	ARYG54LHTA	ARYG60LHTA
	Outdoor unit		AOYG45LETL	AOYG54LETL	AOYG45LATT	AOYG54LATT	AOYG60LATT
Power Source	V/Ø/Hz		230/1/50	230/1/50	400/3/50	400/3/50	400/3/50
Capacity	Cooling	kW	12.5 (4.5-14.0)	13.4 (5.0-14.5)	12.5 (5.0-14.0)	14.0 (5.4-16.0)	15.0 (6.2-17.5)
	Heating	kW	14.0 (5.0-16.2)	16.0 (5.5-18.0)	14.0 (5.4-16.2)	16.0 (5.8-18.0)	18.0 (6.2-20.0)
Input Power	Cooling/Heating	kW	4.30/3.80	4.77/4.69	4.06/3.67	4.65/4.37	4.70/5.15
EER	Cooling		2.91	2.81	3.08	3.01	3.19
COP	Heating	W/W	3.68	3.41	3.81	3.66	3.50
Running Current	Cooling/Heating	A	18.9/16.7	20.9/20.5	6.1/5.5	6.9/6.5	6.9/7.6
Moisture Removal		l/h	1.5	2.0	1.5	2.5	2.0
Sound Pressure (Cooling)	Indoor	H/M/L	47/43/40	47/43/40	47/43/40	47/43/40	45/40/36
	Outdoor	High	55	55	54	55	56
Airflow Rate (High)	Indoor / Outdoor	m³/h	3350/6750	3350/6750	3350/6750	3350/6900	3550/6900
Static pressure range (Standard)		Pa	100 to 250 (100)	100 to 250 (100)	100 to 250 (100)	100 to 250 (100)	60 to 260 (60)
		mm	400x1050x500	400x1050x500	400x1050x500	400x1050x500	425x1250x490
Net Dimension H x W x D	Indoor	kg(lbs)	46 (101)	46 (101)	46 (101)	46 (101)	54 (119)
	Outdoor	kg(lbs)	1290x900x330	1290x900x330	1290x900x330	1290x900x330	1290x900x330
Piping Connections (Small / Large)		mm	9.52/15.88	9.52/15.88	9.52/15.88	9.52/15.88	9.52/15.88
		mm	23.4/25.4	23.4/25.4	23.4/25.4	23.4/25.4	23.4/25.4
Max Pipe Length (Pre-Charge)		m	50 (20)	50 (20)	75 (30)	75 (30)	75 (30)
Height Difference		m	30	30	30	30	30
Operation Range	Cooling	°CDB	-15 to 46	-15 to 46	-15 to 46	-15 to 46	-15 to 46
	Heating	°CDB	-15 to 24	-15 to 24	-15 to 24	-15 to 24	-15 to 24
Refrigerant			R410A	R410A	R410A	R410A	R410A

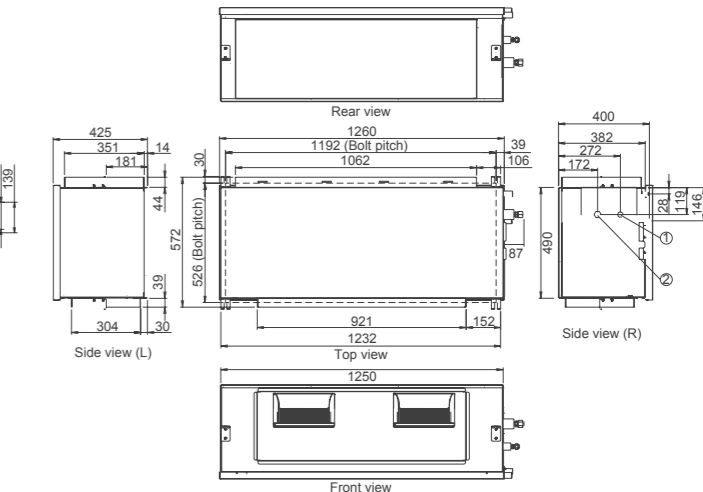
Dimensions Models : ARYG45LHTA / ARYG54LHTA / ARYG60LHTA

(Unit : mm)

Model: ARYG45LHTA / ARYG54LHTA



Model: ARYG60LHTA



- ① Refrigerant piping flare connection (Liquid)
- ② Refrigerant piping flare connection (Gas)
- ③ Drain piping connection (Safety drain pan)
- ④ Drain piping connection(Main drain pan)